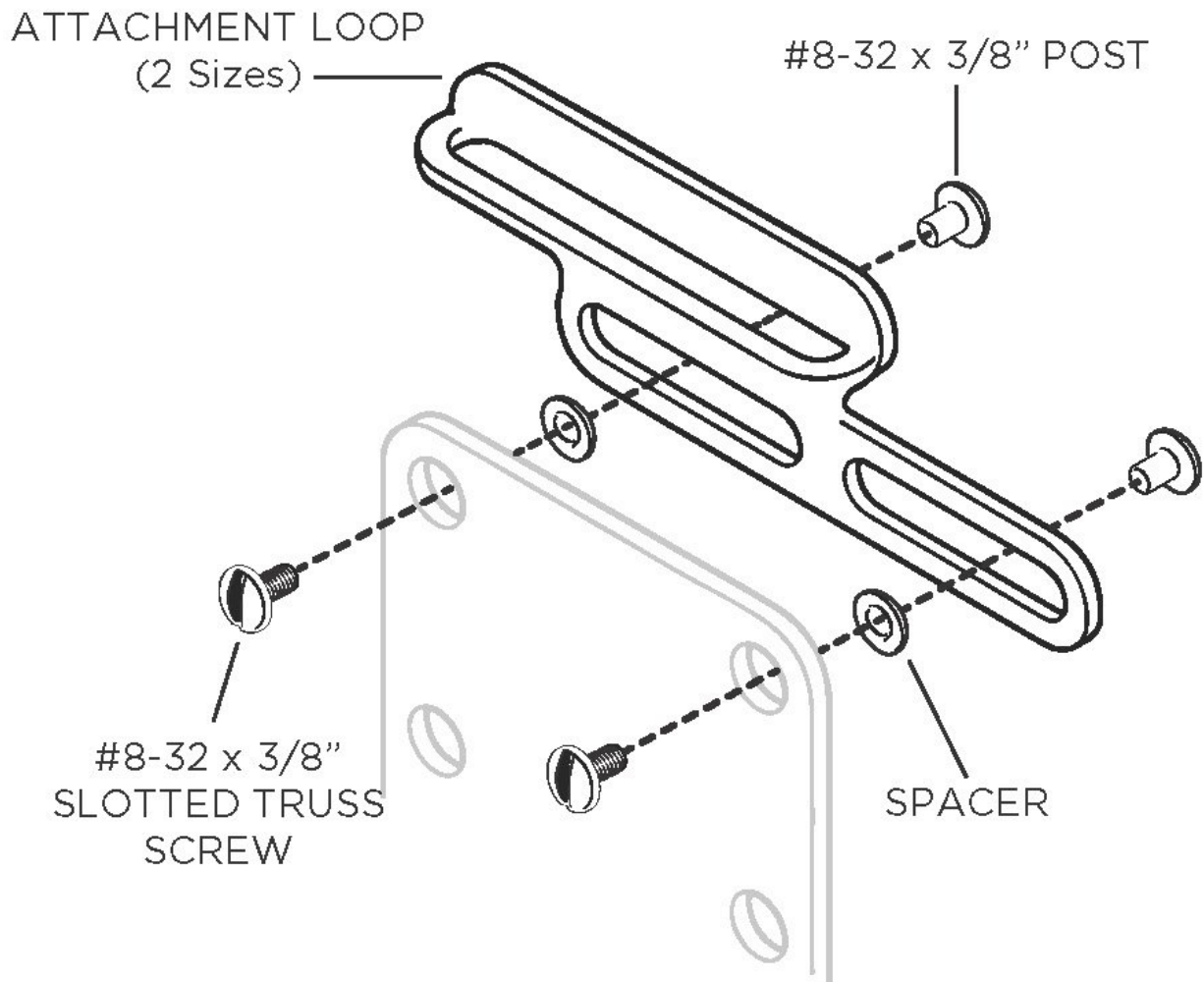


# KA-BAR® | ATTACHMENT SYSTEM



SCREW HEADS SHOULD BE POSITIONED ON THE FRONT SIDE OF THE SHEATH FOR QUICK ACCESS AND EASY ADJUSTMENT



KA-BAR® Attachment System allows the attachment loops to be added to a MOLLE compatible sheath in a variety of configurations providing the user multiple carry options.

**SHEATH NOT INCLUDED WITH ATTACHMENT SYSTEM**